



























LED Lighting

Professional Range

 **Verbatim**[®]
Technology you can trust

Mitsubishi Chemical Holdings Group

	Part Number	Socket	Wattage (W)	Can replace (W)	Luminous flux (lm)	Luminous efficiency (lm/W)	Luminous intensity (cd)	Beam angle (°)	CCT in (K)	CRI	Power Factor	Lifetime (hours)	Dimmable	Energy Efficiency Class
Classic A - 220 - 240V														
	52019	E27	9	40	440	49	-	170	2700	≥80	≥0.80	25,000	Yes	A
 INDOOR & OUTDOOR	52220	E27	7.5	40	480	64	-	220	2700	≥80	≥0.75	40,000	Yes	A
	52225	E27	7.7	42	500	65	-	220	2700	≥80	≥0.85	40,000	Yes	A
	52226	B22	7.7	42	500	65	-	220	2700	≥80	≥0.85	40,000	Yes	A
	52227	E27	10.5	60	806	75	-	240	2700	≥80	≥0.90	25,000	Yes	A
	52228	B22	10.5	60	806	75	-	240	2700	≥80	≥0.90	25,000	Yes	A
Candlelight Classic B - 220 - 240V														
	52047	E14	3.7	15	150	41	-	-	2700	≥80	≥0.85	15,000	Yes	A
AR111 - 12V AC/DC														
	52048	G53	14.5	75	750	52	3500	25	2700	≥80	≥0.80	25,000	No	A
	52202	G53	14.5	75	800	55	3700	25	3000	≥80	≥0.80	25,000	No	A
	52201	G53	14.5	75	850	59	3900	25	4000	≥80	≥0.80	25,000	No	A
	52203	G53	15	75	750	50	1600	35	3000	≥80	≥0.95	25,000	No	A
	52205	G53	15	75	720	48	1500	35	2700	≥80	≥0.95	25,000	No	A
	52204	G53	15	75	880	59	1950	35	4000	≥80	≥0.95	25,000	No	A
MR16 Spotlight - 12V AC/DC														
	52229	GU5.3	7	37	460	65	2400	25	2700	≥80	≥0.70	25,000	Yes	A
	52230	GU5.3	7	41	500	70	2500	25	3000	≥80	≥0.70	25,000	Yes	A+
	52043	GU5.3	6.5	20	270	42	550	35	2700	≥80	≥0.70	35,000	Yes	A









	Part Number	Socket	Wattage (W)	Can replace (W)	Luminous flux (lm)	Luminous efficiency (lm/W)	Luminous intensity (cd)	Beam angle (°)	CCT in (K)	CRI	Power Factor	Lifetime (hours)	Dimmable	Energy Efficiency Class
	52212	GU5.3	6.5	20	280	43	600	35	3000	≥80	≥0.70	35,000	Yes	A
	52044	GU5.3	6.5	20	320	49	760	35	4000	≥80	≥0.70	35,000	Yes	A
	52206	GU5.3	7	35	390	56	850	35	2700	≥80	≥0.75	25,000	Yes	A
	52207	GU5.3	7	35	410	59	950	35	3000	≥80	≥0.75	25,000	Yes	A
	52208	GU5.3	7	35	430	61	1000	35	4000	≥80	≥0.75	25,000	Yes	A
	52209	GU5.3	7	35	380	54	420	55	2700	≥80	≥0.75	25,000	Yes	A
	52210	GU5.3	7	35	390	56	440	55	3000	≥80	≥0.75	25,000	Yes	A
	52211	GU5.3	7	35	420	60	460	55	4000	≥80	≥0.75	25,000	Yes	A









For exact colour, high quality LED Lighting




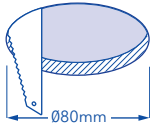

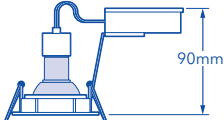

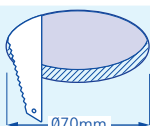

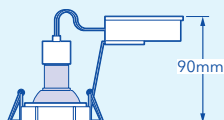
	52224	GU5.3	6.5	20	180	28	300	36	2900	≥85	≥0.60	25,000	Yes	A
--	-------	-------	-----	----	-----	----	-----	----	------	-----	-------	--------	-----	---

PAR16 Spotlight - 220 - 240V


	52045	GU10	6.5	35	240	37	580	35	2700	≥80	≥0.90	35,000	Yes	A
	52213	GU10	6.5	35	250	38	600	35	3000	≥80	≥0.90	35,000	Yes	A
	52046	GU10	6.5	50	320	49	760	35	4000	≥80	≥0.90	35,000	Yes	A
	52049	GU10	7	50	370	53	850	35	2700	≥80	≥0.90	35,000	Yes	A
	52200	GU10	7	50	390	56	890	35	3000	≥80	≥0.90	35,000	Yes	A
	52214	GU10	7	50	410	59	940	35	4000	≥80	≥0.90	35,000	Yes	A
	52215	GU10	7	50	340	49	420	55	2700	≥80	≥0.90	35,000	Yes	A
	52216	GU10	7	50	350	50	430	55	3000	≥80	≥0.90	35,000	Yes	A

	Part Number	Socket	Wattage (W)	Can replace (W)	Luminous flux (lm)	Luminous efficiency (lm/W)	Luminous intensity (cd)	Beam angle (°)	CCT in (K)	CRI	Power Factor	Lifetime (hours)	Dimmable	Energy Efficiency Class
	52217	GU10	7	50	400	57	480	55	4000	≥80	≥0.90	35,000	Yes	A+
 HIGH CRI >95	52040	GU10	6	35	220	37	570	30	2700	≥95	≥0.75	25,000	Yes	A
 HIGH CRI >95	52041	GU10	8.5	50	310	36	720	30	2700	≥95	≥0.85	25,000	Yes	A
PAR30 - 220 - 240V														
	52016	E27	11.3	75	580	51	1300	25	2700	≥80	≥0.75	25,000	Yes	A
 HIGH CRI >95	52042	E27	14.5	75	680	47	1300	30	4000	≥95	≥0.80	25,000	Yes	A
PAR38 - 220 - 240V														
	52017	E27	17.5	100	800	46	2400	25	2700	≥80	≥0.75	25,000	Yes	A
 INDOOR & OUTDOOR	52033	E27 IP54	19	120	1250	66	1200	45	4500	≥70	≥0.90	25,000	No	A
	52034	E27	20	120	1200	60	6500	22	3000	≥80	≥0.90	35,000	Yes	A

Downlight Fittings - Perfect fit for all Verbatim LED PAR16 GU10 lamps.

	Part Number	Product Description	Mounting Diameter	Outer ring diameter	Downlight Depth
	52400 52401	LED Down light IP23 Twist lock white Twist lock brushed aluminium	 Ø80mm	 Ø91mm	 90mm
	52402 52403	LED Down light IP44 Twist lock white Twist lock brushed aluminium	 Ø70mm	 Ø81mm	 90mm

LED Transformer - Electronic transformer for 12V LED lamp

	Part Number	Primary voltage range (V)	Frequency (Hz)	Input current (A)	Secondary voltage (V)	Lamp wattage (W)	Efficiency (%)	Power factor	Input capacitance (nF)	Dimming	Dimensions LxWxH (mm)	Weight (g)
	52900	220-240	50/60	0.29	11.5V AC	0-70	>95	>0.99	100	Leading and trailing edge dimmers	113x44x28	80



HIGH Power LED



85% Energy Savings



Dimmable



ULTIMATE Light Quality for 25yrs*



Direct Replacement for common lamp sockets



Mercury FREE



TCS Secures lamp efficiency & long lifetime**

*Lamp daily use of 4 hours a day

**Temperature Control System



verbatimlighting.com